

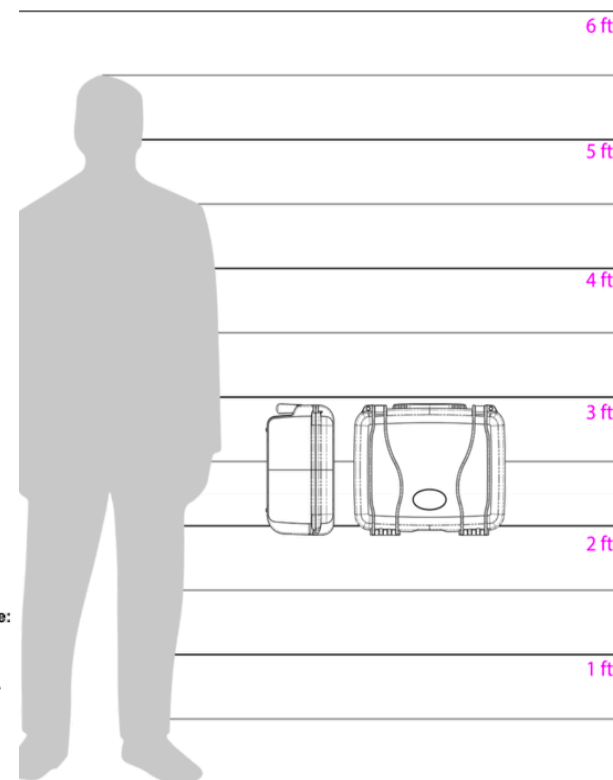
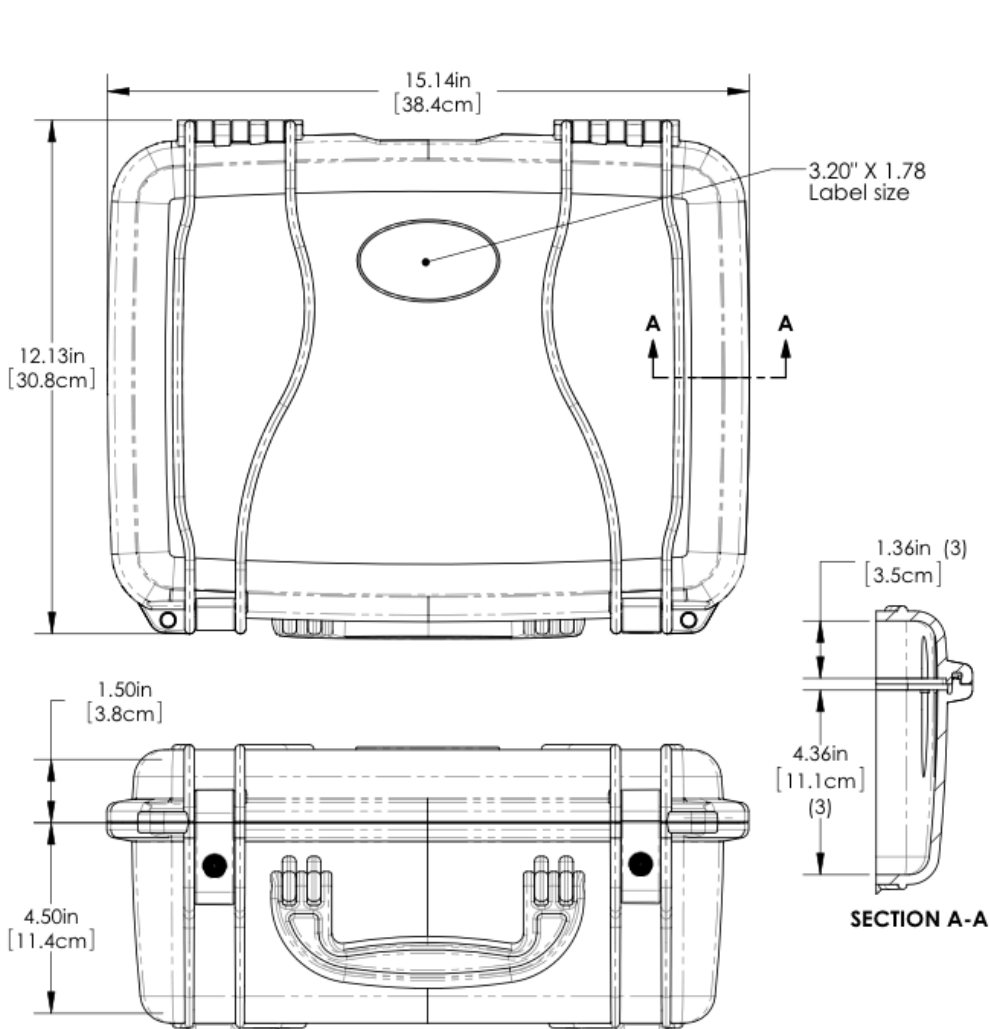
# SE520

## HARDERBACK

Maletas Industriales | Maletines Militares  
Estuches de Protección | Cajas Polipropileno  
Mochilas Resistentes | Cajas Biometricas



[ Draw ]



### NOTES:

- 1) Max. usable inside dimensions are: 13.5" X 9.9" X 6.0"
- 2) Metal Locking Latches p/n MLL and Plastic Metal Latches p/n PLL are optional.
- 3) Internaldimensions to bottom of panel flange.